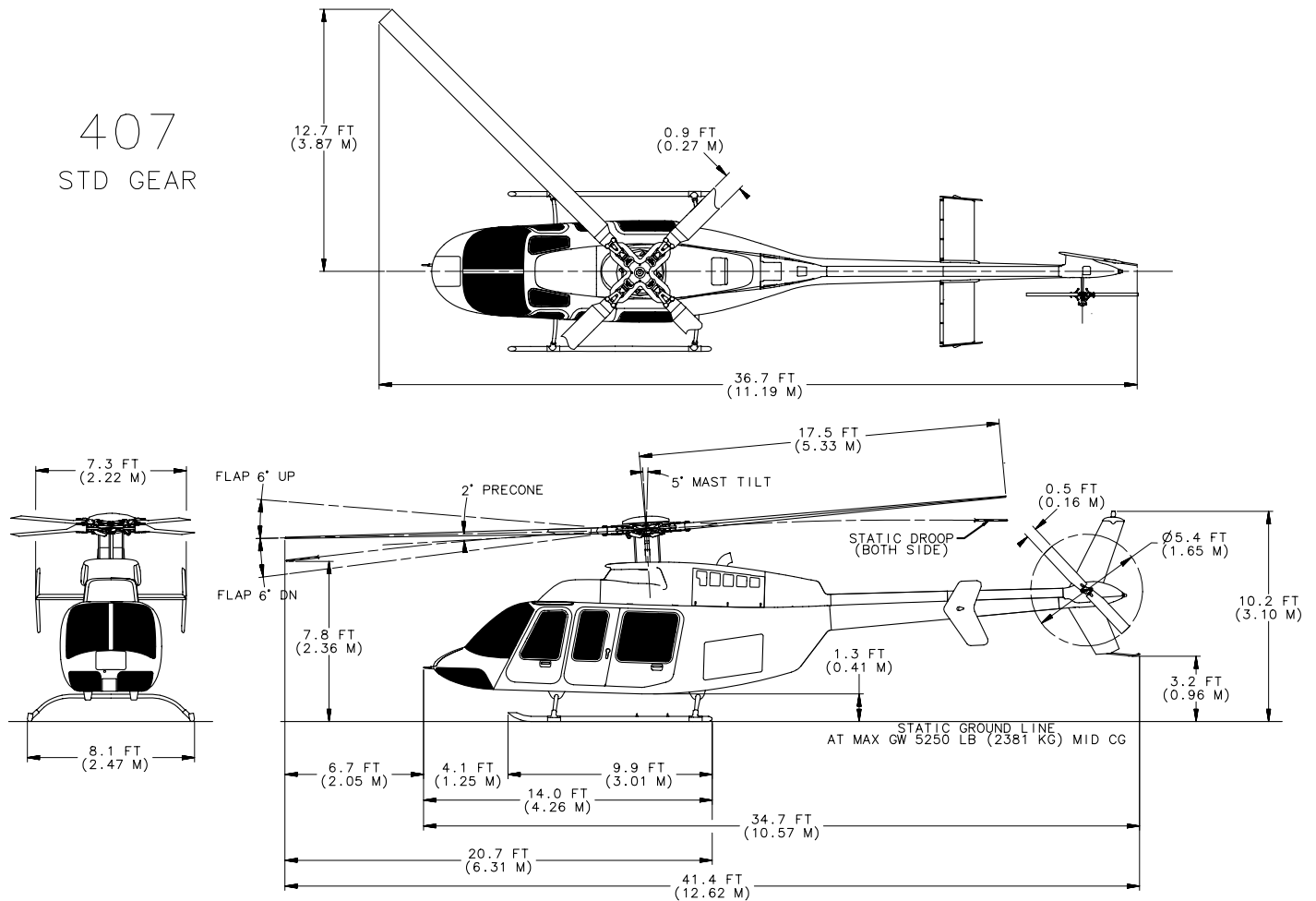


**Bell 407**  
**Heliport Design Data and Dimensions**

407  
 STD GEAR



**LANDING GEAR LOADING AT MAXIMUM GROSS WEIGHT (5250-POUNDS),  
 BASED ON 1G STATIC CONDITIONS AT AFT-MOST STRUCTURAL CG LIMIT**

Gear Type	Loading (lb)		Contact Area (in <sup>2</sup> )		Contract Pressure (lb/in <sup>2</sup> )	
	Forward	Aft	Forward	Aft	Forward	Aft
Standard Skid	1405	3845	16.5 x 2.0	16.5 x 2.0	43	117
High Skid	1372	3878	16.5 x 2.0	16.5 x 2.0	42	118
Emergency Floats	1372	3878	16.5 x 2.0	16.5 x 2.0	42	118