



DA20i KATANA



fly like an eagle

FACTS AND SPECIFICATIONS

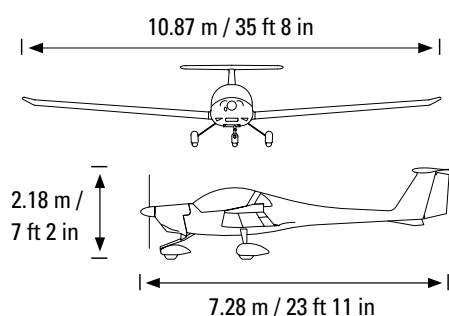
DA20i Katana facts and specifications

Power plant

Engine	Bombardier Rotax 912 iS3c Sport with 100 HP
Propeller	MT propeller MTV-21-A/175-05, 2-blade constant speed propeller
Fuel grades	Avgas 100LL, Mogas, Super EN 228

Performance (max. mass)

Max. cruise speed @ 75% (8500 ft)	234 km/h TAS	126 kts TAS
Cruise speed at 55% (13,000 ft)	216 km/h TAS	117 kts TAS
Stall speed, landing configuration	83 km/h CAS	45 kts CAS
Rate of climb (ISA SL)	4.2 m/s	827 ft/min
Range at 55% (2,000 ft)	1,350 km	729 nm
Consumption at 55% (2,000 ft)	12.1 lt/hr	3.2 US gal/hr
Take-off ground roll (ISA SL)	288 m	944 ft
Landing ground roll (ISA SL)	274 m	898 ft
Max. operating altitude	4,000 m	13,123 ft
Max. demonstrated crosswind	27 km/h	15 kts



Dimensions / mass / loading

Seats	2	2
Empty weight	500 kg	1,102 lbs
Useful load	300 kg	662 lbs
Max. take off mass	800 kg	1,764 lbs
Fuel capacity:	91 lt	24 US gal

Diamond Aircraft Industries GmbH, Phone: +43 2622 26700, www.diamond-air.at

Specifications apply to standard equipped aircraft, if not otherwise stated. The above data are approximately specifications and may change without notice.

04/2015 S_30640E © 2015 Diamond Aircraft Industries GmbH